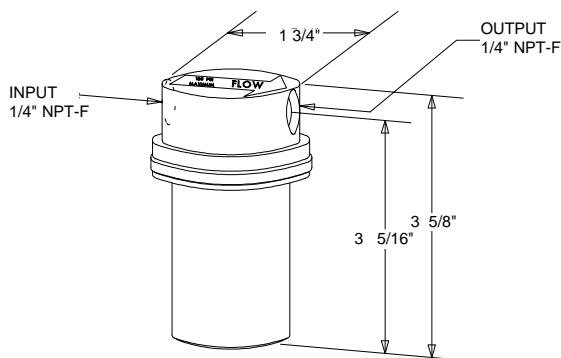


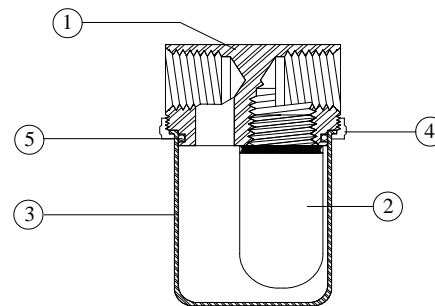
MORGAN PRODUCTS

PNEUMATIC CHEMICAL PUMPS FOR THE GAS AND OIL INDUSTRIES

Parts List Model F4



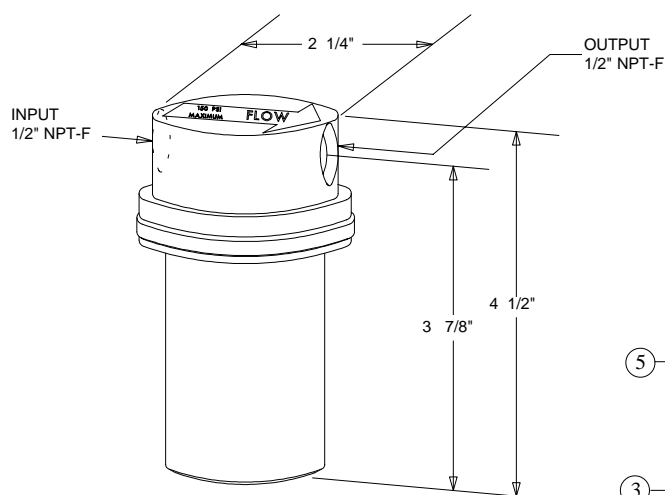
NO	NAME	PART NO.	MATERIAL
1	Body	F4-1	303 SS
2	Element	F4-2/4 Micron	Polyethelene
	Element	F4-2/100 Micron	Polyethelene /SS
3	Can	F4-3	304 SS
4	Lock Ring	F4-4	303 SS
5	O-Ring	F4-5	Buna-n / Viton



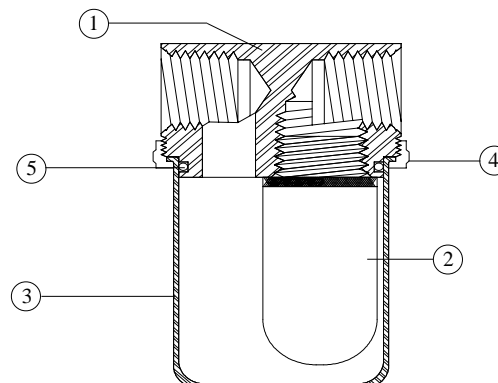
Air, gas or liquid chemical filter. All stainless steel construction. Polyethelene filter element. Connecting ports are 1/4" NPT on F4 and 1/2" NPT on F8. The element may be cleaned or

replaced without removing the filter from the process line. (No wrenches required). Excellent for Methanol service. Maximum recommended operating pressure 150 psi. Burst pressure 2000 psi.

Parts List Model F8



NO	NAME	PART NO.	MATERIAL
1	Body	F8-1	303 SS
2	Element	F8-2/4 Micron	Polyethelene
	Element	F8-2/100 Micron	Polyethelene /SS
3	Can	F8-3	304 SS
4	Lock Ring	F8-4	303 SS
5	O-Ring	F8-5	Buna-n / Viton



MORGAN PRODUCTS INC. 28103 Ave. Stanford / Valencia, CA 91355

(661) 257-3022 - (800) 421-8910 - FAX (661) 257-3385 - www.morganproducts.com - E-Mail info@morganproducts.com