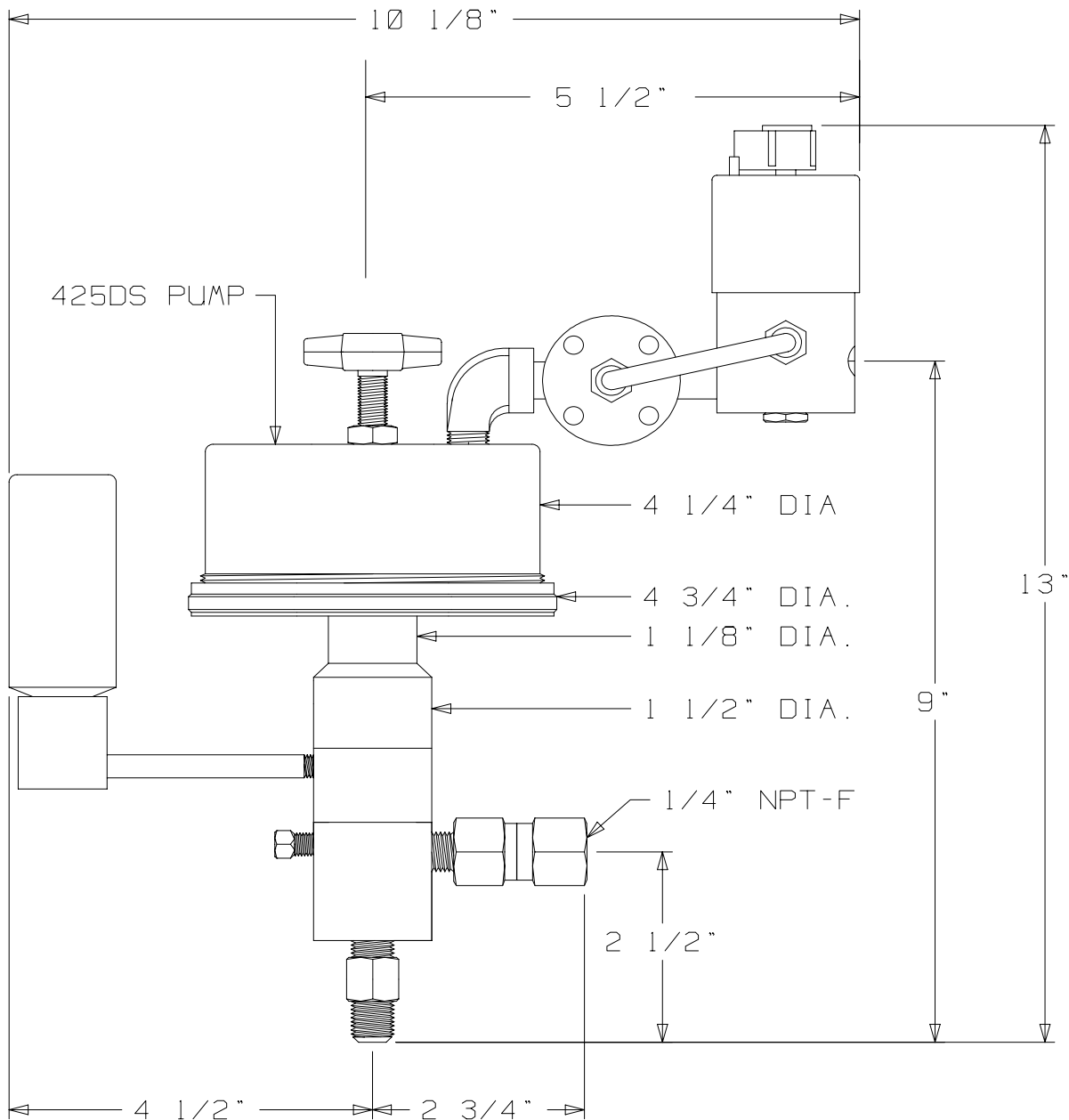


# MORGAN PRODUCTS

PNEUMATIC CHEMICAL PUMPS FOR THE GAS AND OIL INDUSTRIES

## MODEL 475DS-TR2-SR1S

AIR ACTUATED POSITIVE DISPLACEMENT PUMP



MODEL (WITH TIMER)	PUMP DISPLACEMENT	PUMP RATIO	STROKE LENGTH in. - cm.	CONNECTIONS ALL NPT INPUT / OUTPUT	MAXIMUM DISCHARGE PSI - BAR	OUTPUT PER HOUR GAL. / LTS.
475DS-TR2-SR1S	3.2 cc	54:1	1 - 2.54	1/2 - M / 1/4 - F	8100 - 558	.25 - 2.5 / .95 - 9.5

**MORGAN PRODUCTS INC.** 28103 Ave. Stanford / Valencia, CA 91355

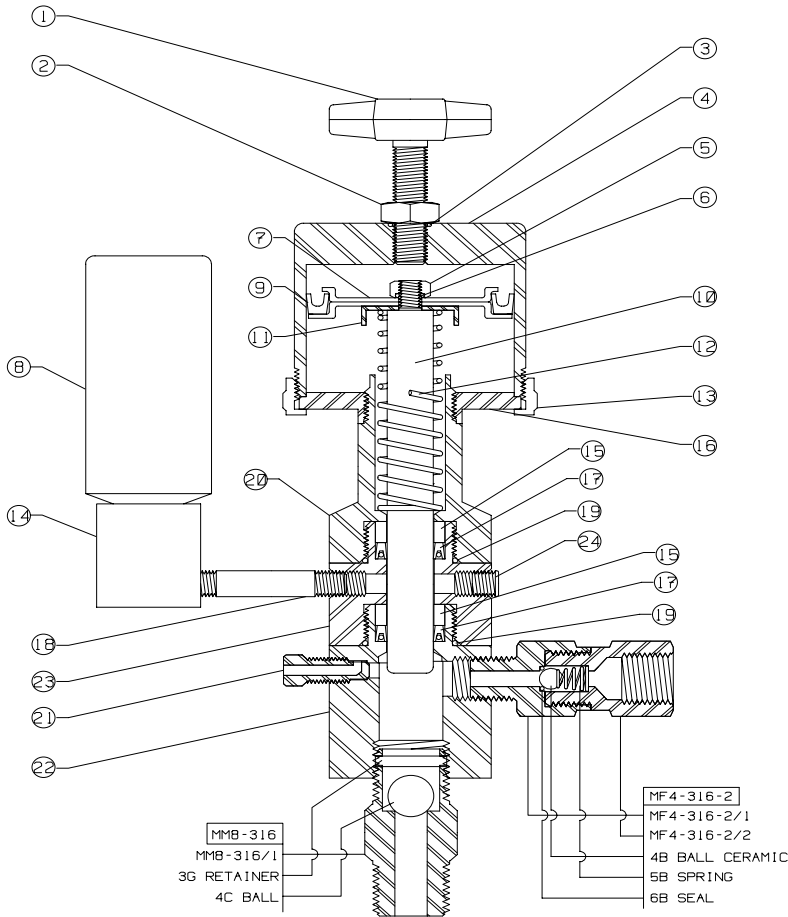
(805) 257-3022 - (800) 421-8910 - FAX (805) 257-3385

www.morganproducts.com - E-Mail info@morganproducts.com

# MORGAN PRODUCTS

PNEUMATIC CHEMICAL PUMPS FOR THE GAS AND OIL INDUSTRIES

## Parts List Model 275DS, 375DS, 475DS



NO	NAME	PART NO.	PUMP MODEL
1	Stroke Adjuster	100-1	ALL
2	Locknut	100-2	ALL
3	O-Ring Seal	100-3 *	ALL
4	Air Chambers	200-4 300-4 400-4	250DS/275DS 350DS/375DS 450DS/475DS
5	Piston Locknut	100-7	ALL
6	O-Ring Seal	100-11 *	ALL
7	Pistons	200-8 300-8 400-8	250DS/275DS 350DS/375DS 450DS/475DS
8	2 oz. Oil	100-24	ALL
9	Piston Seals	200-9 * 300-9 * 400-9 *	250DS/275DS 350DS/375DS 450DS/475DS
10	Plungers:		
	17-4 TN	250-65 *	ALL
	316 SS	275-67	Optional
	Carpenter 20	250-68	Optional
11	Piston Stop	200-69	ALL
12	Return Spring	250-13 *	ALL
13	Air Chamber Rings	200-5 300-5 400-5	250DS/275DS 350DS/375DS 450DS/475DS
14	Reservoir	3000-25	ALL
15	Back Up Ring	250-19 *(2)	ALL
16	Faceplates	200-6 300-6 400-6	250DS/275DS 350DS/375DS 450DS/475DS
17	Pressure Seals:		
	TG	250-20 *(2)	ALL
	Buna- N	250-20B	Optional
	Viton	250-20V	Optional
	Fluoraz	250-20F	Optional
18	Nipples	100DS-32 3000-32 4000-32	250DS/275DS 350DS/375DS 450DS/475DS
19	O-Ring Seal	100-21 *(2)	ALL
20	Oil Chamber	250-14	ALL
21	Bleeder Plugs	125-22	ALL
22	Fluid Chambers	275-23	ALL
23	Double seal body	275-64	ALL
24	1/8 NPT Plug	5000-38	ALL
N/S	Elbow	4000-27	450DS/475DS
N/S	1/4-20 Screw	4000-28 (2)	450DS/475DS
N/S	1/4 Washer	4000-29 (2)	450DS/475DS
N/S	1 oz. Grease	*	ALL
<b>Repair Kits:</b>			
	17-4 TN Plunger	250-70 350-70 450-70	250DS/275DS 350DS/375DS 450DS/475DS
	316 SS Plunger	275-70 375-70 475-70	250DS/275DS 350DS/375DS 450DS/475DS
	Seal Sets:		
	TG	250-48	ALL
	Buna- N	250-48B	ALL
	Viton	250-48V	ALL
	Fluoraz	250-48F	ALL

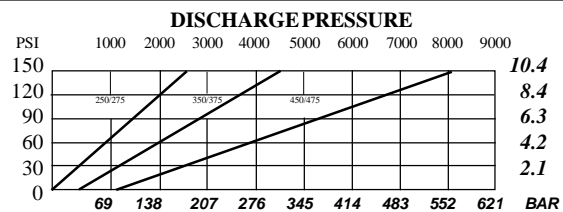
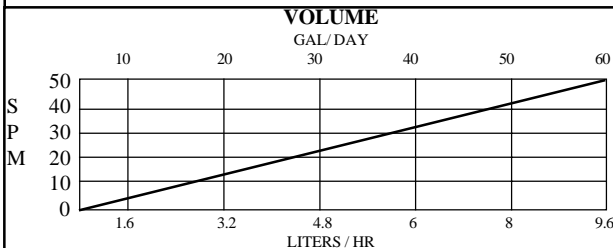
\* = Included in Repair Kit

### INSTALLATION INSTRUCTIONS

1. Discard all red plastic closures.
2. Connect suction check valve, to a gravity fed chemical source.
3. Connect discharge check valve, to process line.
4. Connect a regulated air or gas supply, to the timing relay.
5. Fill oil reservoir with oil provided.

\*\* This must be done BEFORE start up.\*\*

6. Open bleeder valve until chemical flows from bleeder.
7. Set regulator at 10 to 15 psi ABOVE the pressure required. (See discharge pressure graph).
8. Set cycle rate in strokes per minute. (See volume graph)



MORGAN PRODUCTS INC. 28103 Ave. Stanford / Valencia, CA 91355

(805) 257-3022 - (800) 421-8910 - FAX (805) 257-3385