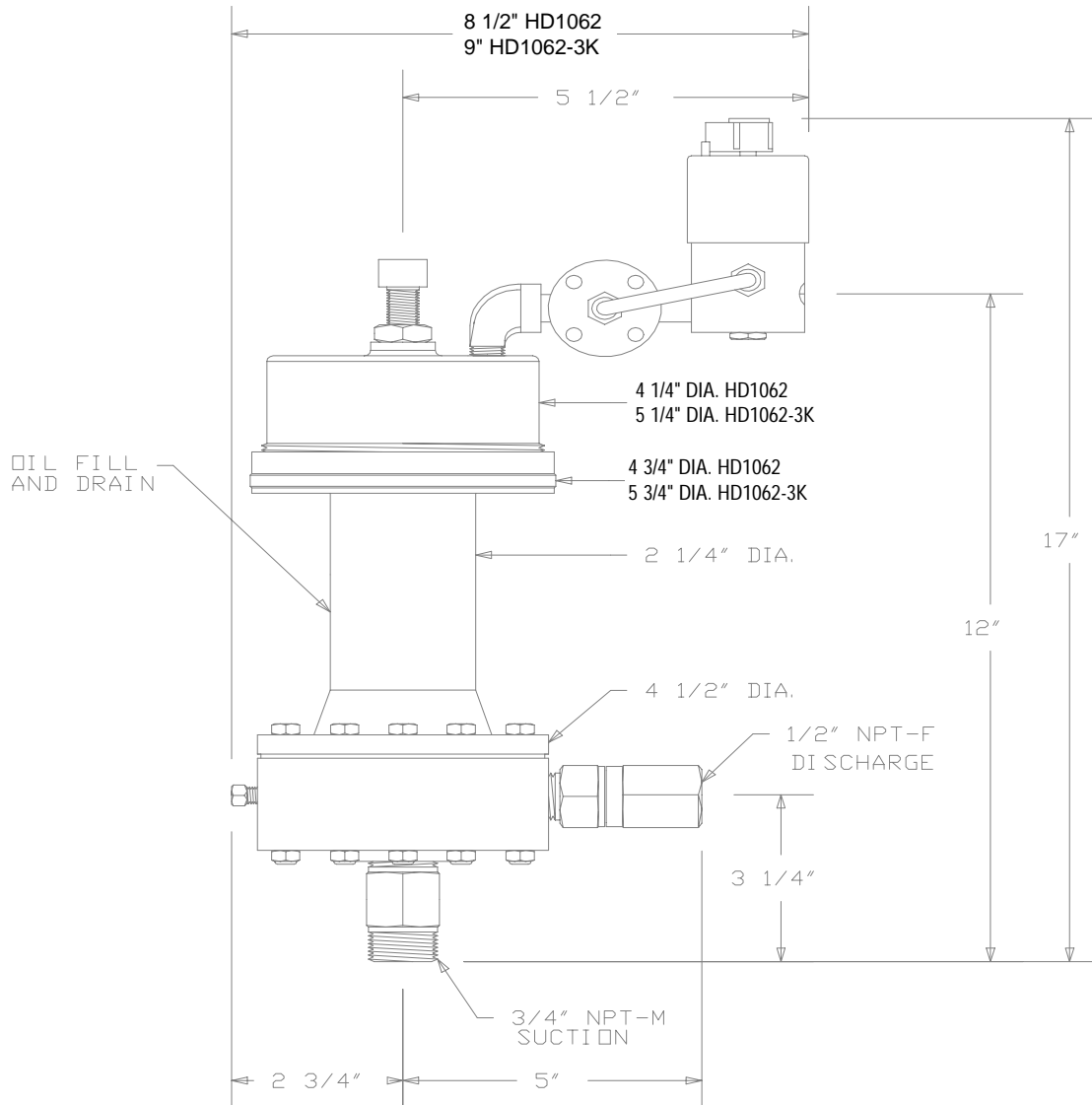


# MORGAN PRODUCTS

PNEUMATIC CHEMICAL PUMPS FOR THE GAS AND OIL INDUSTRIES

## MODEL HD1062-TR2-SR1S / HD1062-3K-SR1S-TR2

AIR ACTUATED HYDRAULIC DIAPHRAGM PUMP



| MODEL<br>(WITH TIMER) | PUMP<br>DISPLACEMENT | STROKE<br>RATIO | LENGTH<br>in. - cm. | CONNECTIONS<br>ALL NPT<br>INPUT / OUTPUT | MAXIMUM<br>DISCHARGE<br>PSI - BAR | OUTPUT<br>PER HOUR<br>GAL. / LTS. |
|-----------------------|----------------------|-----------------|---------------------|--|-----------------------------------|-----------------------------------|
| HD1062-TR2-SR1S       | 12.8 cc              | 10:1            | 1 - 2.54            | 3/4 - M / 1/2 - F                        | 1000 - 68.9                       | 1 - 10.4 / 3.9 - 39               |
| HD1062-3K-TR2-SR1S    | 12.8 cc              | 20:1            | 1 - 2.54            | 3/4 - M / 1/2 - F                        | 3000 - 206.8                      | 1 - 10.4 / 3.9 - 39               |

**MORGAN PRODUCTS INC.** 28103 Ave. Stanford / Valencia, CA 91355

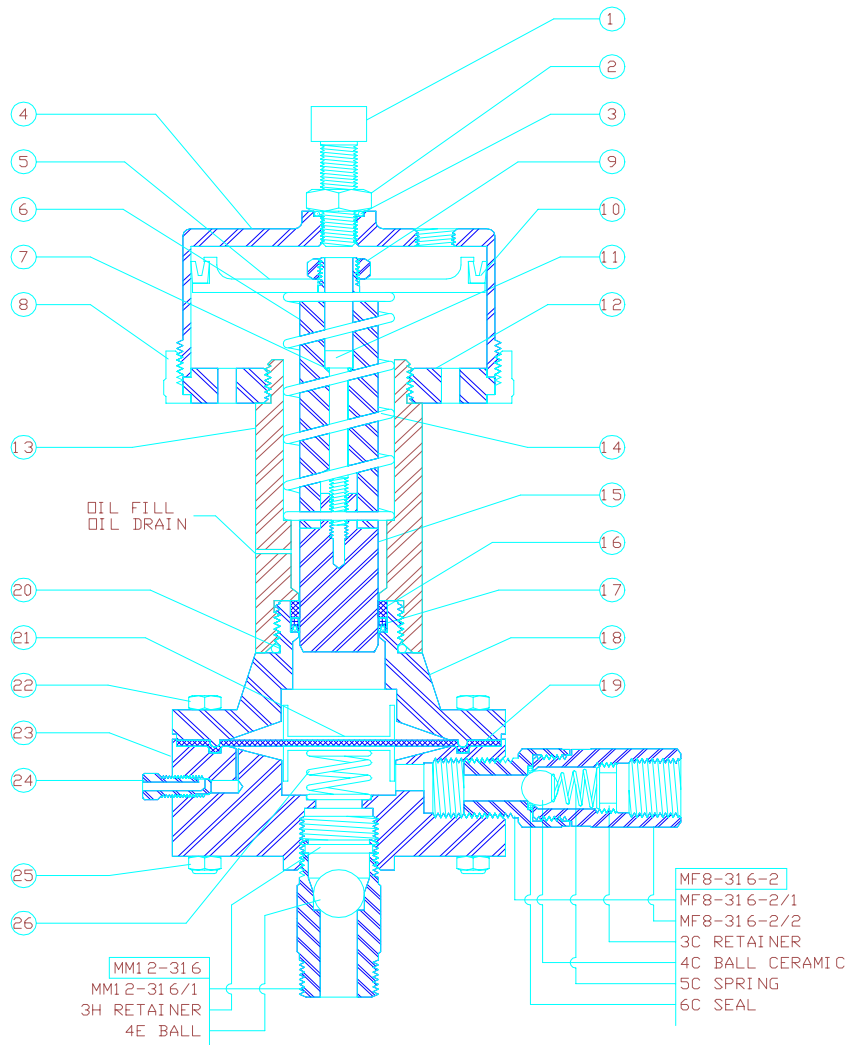
(805) 257-3022 - (800) 421-8910 - FAX (805) 257-3385

www.morganproducts.com - E-Mail info@morganproducts.com

# MORGAN PRODUCTS

PNEUMATIC CHEMICAL PUMPS FOR THE GAS AND OIL INDUSTRIES

## Parts List Model HD1062-3K



| NO  | NAME              | PART NO.      |
|-----|-------------------|---------------|
| 1   | Stroke Adjuster   | 3000-1        |
| 2   | Locknut           | 3000-2        |
| 3   | O-Ring Seal       | 3000-3 *      |
| 4   | Air Chamber       | HD1062-3K-4   |
| 5   | Piston            | HD1062-3K-8   |
| 6   | Plunger Guide     | HD1062-10     |
| 7   | O-Ring Seal       | 100-11 *      |
| 8   | Air Chamber Ring  | HD1062-3K-5   |
| 9   | Piston Locknut    | 3000-7        |
| 10  | Piston Seal       | HD1062-3K-9*  |
| 11  | Plunger Bolt      | 3000-26       |
| 12  | Faceplate         | HD1062-3K-6   |
| 13  | Oiler Housing     | HD1062-14     |
| 14  | Return Spring     | 3000-13 *     |
| 15  | Plunger           | HD1062-15*    |
| 16  | Back Up Ring      | HD1062-19*    |
| 17  | Pressure Seal     | HD1062-20*    |
| 18  | Hydraulic Chamber | HD1062-29     |
| 19  | Diaphragm         | HD1062-32*    |
| 20  | O-Ring Seal       | 3000-21 *     |
| 21  | Spring Cup        | HD1062-35(2)  |
| 22  | Chamber Bolt      | HD1062-30(10) |
| 23  | Fluid Chamber     | HD1062-23     |
| 24  | Bleeder           | 125-22        |
| 25  | Locknut           | D40-9 (10)    |
| 26  | Diaphragm Spring  | HD1062-36*    |
| N/S | 4 oz. Oil         | HD1062-24*    |
| N/S | Elbow             | 3000-27       |
| N/S | 1oz. Grease       | *             |
| N/S | 1/4-20 Cap Screw  | 4000-28       |
| N/S | 1/4 Washer        | 4000-29       |
|     | Repair Kit        | HD1062-3K-50  |
|     | Seal Set          | HD1062-48     |

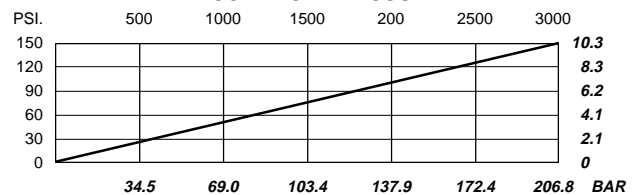
\* = Included in Repair Kit

### INSTALLATION INSTRUCTIONS

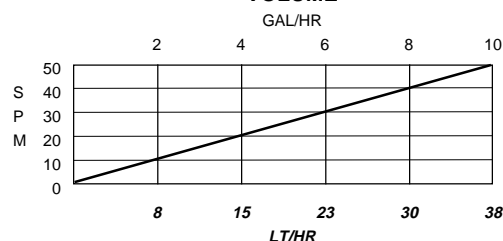
1. Discard all red plastic closures.
2. Connect suction check valve, to a gravity fed chemical source.
3. Connect discharge check valve, to process line.
4. Connect a regulated air or gas supply, to the timing relay.
5. Fill oil reservoir with oil provided, until oil flows out of bleed hole.\*\* This must be done BEFORE start up.\*\*
6. Open bleeder valve until chemical flows from bleeder.
7. Set regulator at 10 to 15 psi ABOVE the pressure required. (See Discharge pressure graph.)
8. Set cycle rate in strokes per minute. (See volume graph)

CAUTION: Use only light hydraulic oil.

### DISCHARGE PRESSURE



### VOLUME



MORGAN PRODUCTS INC. 28103 Ave. Stanford / Valencia, CA 91355

(805) 257-3022 - (800) 421-8910 - FAX (805) 257-3385