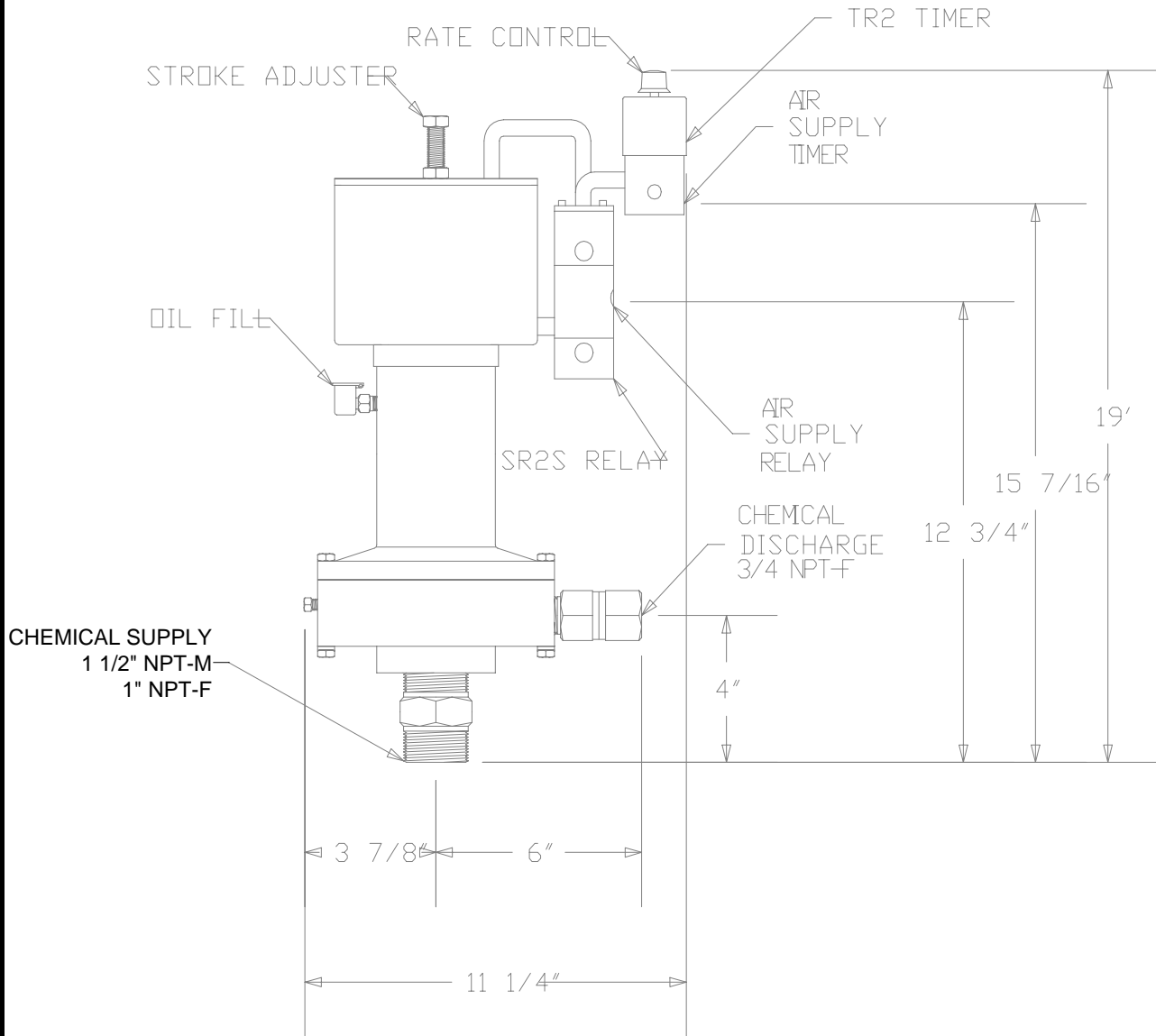


# MORGAN PRODUCTS

PNEUMATIC CHEMICAL PUMPS FOR THE GAS AND OIL INDUSTRIES

## MODEL HD2000-TR2-SR2S

AIR ACTUATED HYDRAULIC DIAPHRAGM PUMP



NET WEIGHT -- 60 POUNDS / 27.2 KILO.  
 MAXIMUM SUPPLY PRESSURE 150 PSI / 10.3 BAR

MODEL (WITH TIMER)	PUMP DISPLACEMENT	RATIO	STROKE LENGTH in. - cm.	CONNECTIONS ALL NPT INPUT / OUTPUT	MAXIMUM DISCHARGE PSI - BAR	OUTPUT PER HOUR GAL. / LTS.
HD2000-TR2-SR2S	135.8 cc	6:1	3.1 - 7.87	1 1/2"-M / 3/4" - F	900 - 62	8.1- 81.3 / 30.7-307

**MORGAN PRODUCTS INC.** 28103 Ave. Stanford / Valencia, CA 91355

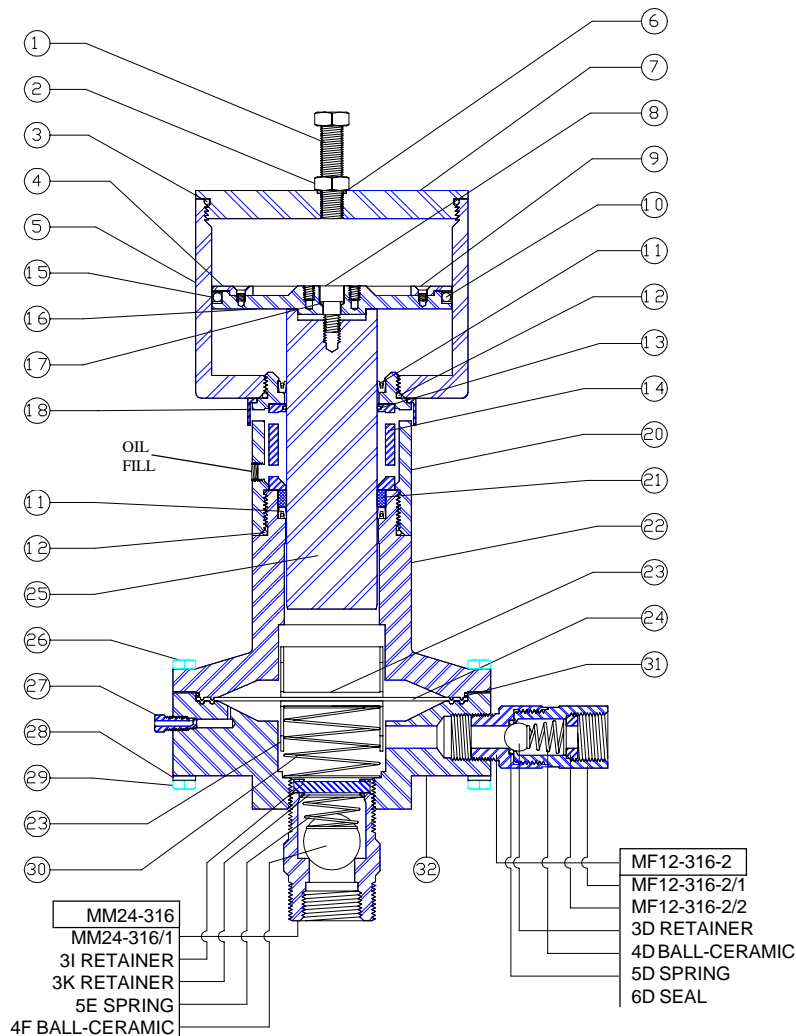
(805) 257-3022 - (800) 421-8910 - FAX (805) 257-3385

www.morganproducts.com - E-Mail info@morganproducts.com

# MORGAN PRODUCTS

PNEUMATIC CHEMICAL PUMPS FOR THE GAS AND OIL INDUSTRIES

## Parts List Model HD2000



NO	NAME	PART NO.
1	Stroke Adjuster	5000-1
2	Locknut	3000-2
3	O-Ring Seal	5000-34 *
4	Seal Retainer	5000-36
5	Air Chamber	5000-4
6	O-Ring Seal	3000-3 *
7	Air Chamber Cap	5000-33
8	Piston Bolt	5000-7
9	Screw	5000-35 (8)
10	O-Ring Seal	5000-9 *
11	Pressure Seal	5000-20 *(2)
12	O-Ring Seal	5000-21 *(2)
13	O-Ring Seal	HD2000-21*
14	Seal Retainer	HD2000-28
15	Piston Seal	5000-37 *
16	Piston	5000-8
17	O-Ring Seal	100-3 *
18	Dust Shield	HD2000-45
19	N/U	
20	Oil Housing	HD2000-14
21	Back Up Ring	5000-19 *
22	Hydraulic Chamber	HD2000-29
23	Spring Cup	HD2000-35 (2)
24	Diaphragm	HD2000-32 *
25	Plunger	HD2000-15
26	Chamber Bolt	HD2000-30 (10)
27	Bleeder	125-22
28	Lock Washer	HD2000-38 (10)
29	Nut	HD2000-39 (10)
30	Diaphragm Spring	HD2000-36 *
31	o-Ring Seal	HD2000-41 *
32	Fluid Chamber	HD2000-23
	1 oz Grease	*
	4 oz Oil	HD1062-24 *

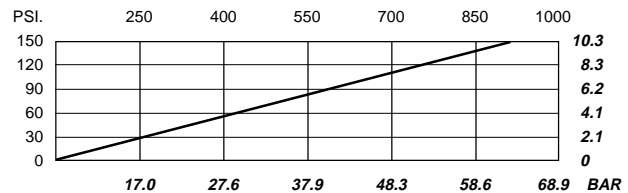
\* = Included in Repair Kit

### INSTALLATION INSTRUCTIONS

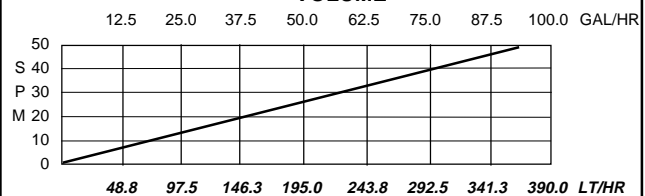
1. Discard all red plastic closures.
2. Connect suction check valve, to a gravity fed chemical source.
3. Connect discharge check valve, to process line.
4. Connect a regulated air or gas supply, to the timing relay.
5. Fill oil reservoir with oil provided, until oil flows out of bleed hole.\*\* This must be done BEFORE start up.\*\*
6. Open bleeder valve until chemical flows from bleeder.
7. Set regulator at 10 to 15 psi ABOVE the pressure required.  
(See Discharge pressure graph.)
8. Set cycle rate in strokes per minute.  
(See volume graph)

CAUTION: Use only light hydraulic oil.

### DISCHARGE PRESSURE



### VOLUME



**MORGAN PRODUCTS INC.** 28103 Ave. Stanford / Valencia, CA 91355

(805) 257-3022 - (800) 421-8910 - FAX (805) 257-3385

Web [www.morganproducts.com](http://www.morganproducts.com) - E-Mail [info@morganproducts.com](mailto:info@morganproducts.com)